

Stainless steel tanks

The storage tanks are made exclusively of stainless steel and are designed for coupling with the pumping groups, both for recirculation and process. They are made in various capacities and versions to meet the requirements of the various cooling systems and are connected to the control panel (3PR) for electronic level control.

Advantages

- Practical and ready to install
- Simplifies installation
- Facilitates the loading of chemicals
- Electronic level control

Main features

- Tank body entirely in AISI304 stainless steel
- Wide range of capacities from 1.000 to 6.000 litres
- Connections prepared for recirculation and process pumps sets
- Electronic pressure transducers
- Inspectable and complete with a drain valve



Stainless steel tanks
from 1.000 to 6.000 litres

Technical data

GPS

Model		1000	2000	3000	1000	2000	3000	4000	6000	1000	2000	3000
		VE			VD					VH		
Main intended use	Type	3DK versions P-S-DP-DS			3DK versions D					IndustrialChiller Heavygel		
Capacity to overflow	L	800	1700	2500	800	1800	2600	3430	5320	800	1800	2600
Insulated	Type	No			No					Yes		
Internal septum		No			Yes		No			Yes		
Isp. Cover		No			Yes					Yes		
Tanks	N°	1			1		2			1		
	N°	2			4					4		
Connections	Ø	6"	8"	12"	6"	8"	10"	8"	10"	6"	8"	10"
	Type	Victaulic flange PN10										
	Position	180°/180°/90°			2+2 at 180°					2+2 at 180°		
Nominal volume	L	1000	2000	3000	1000	2000	3000	4000	6000	1000	2000	3000
Material		Inox AISI 304										
Overflow	Type	3" Victaulic										
Manual drainage	Type	G1" F (F-BSP)										
Filling	Type	G1" F (F-BSP)										
Net weight	Kg	90	175	215	120	210	270	360	470	120	210	270

- They are not pressurizable - Versions with standard ANSI class 150lb flanges
- Special versions available

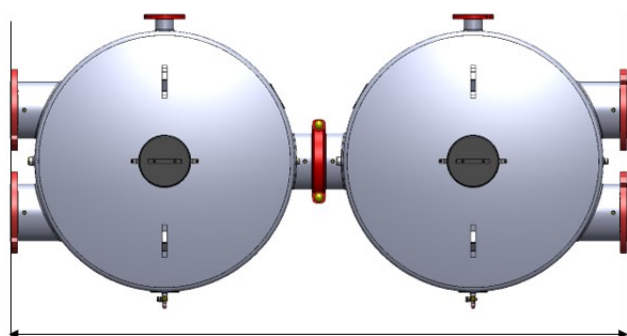
Dimensional technical data

GPS

Model		1000	2000	3000	1000	2000	3000	4000	6000	1000	2000	3000
		VE			VD					VH		
A	mm	850	1.100	1.270	930	1.338	1.468	1.270	1.400	930	1.338	1.468
B	mm	1.043	1.320	1.467	1.003	1.440	1.602	2.984	3.263	1.003	1.440	1.602
C	mm	1.984	2.471	2.433	1.890	1.860	2.160	1.961	2.330	1.890	1.860	2.160

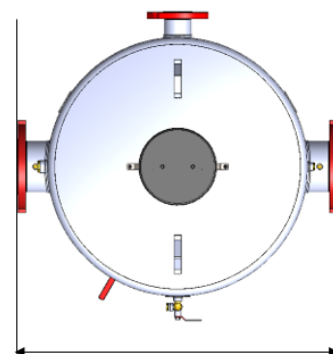
Weights and dimensions refer to units in basic configuration, without added options

GPS 4000 - GPS 6000



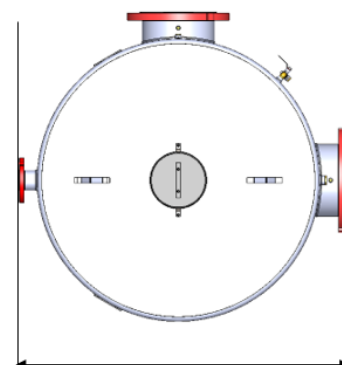
B

GPS 100VE - GPS 200VE



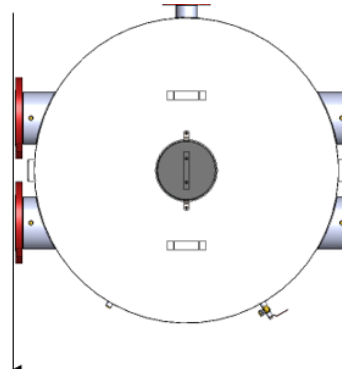
B

GPS300VE

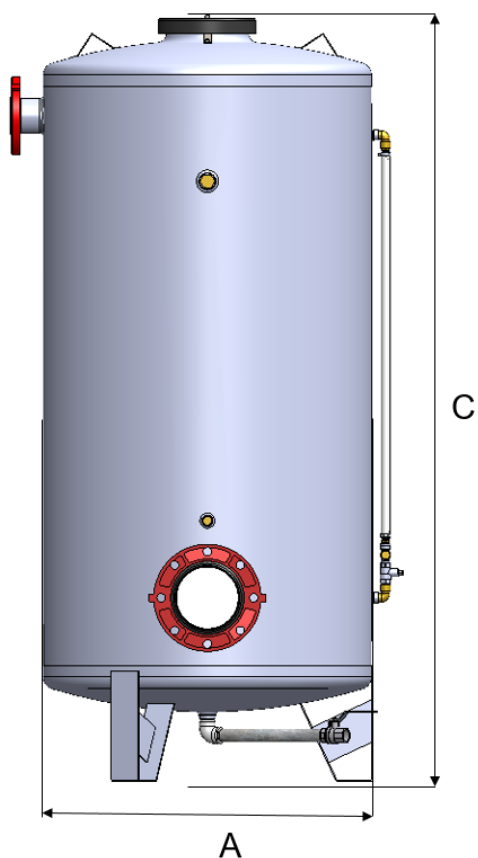


B

GPS...VD/VH



B



A

C